

B150P-9



# Doosan 9 Series

## High Level Order Picker

3,000 lb. Capacity

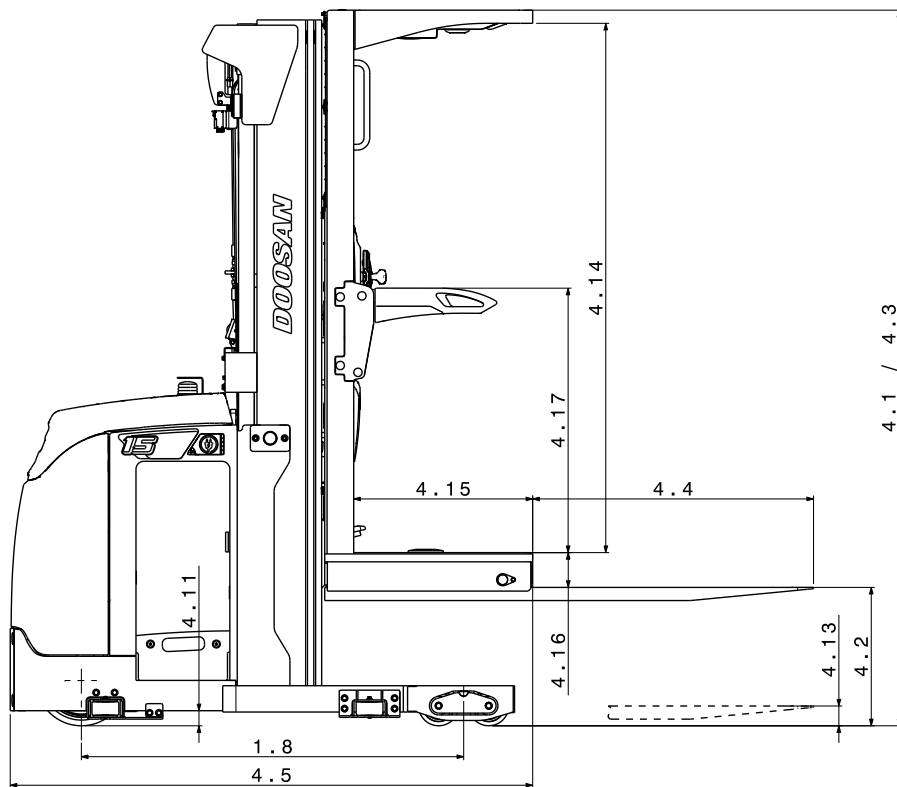
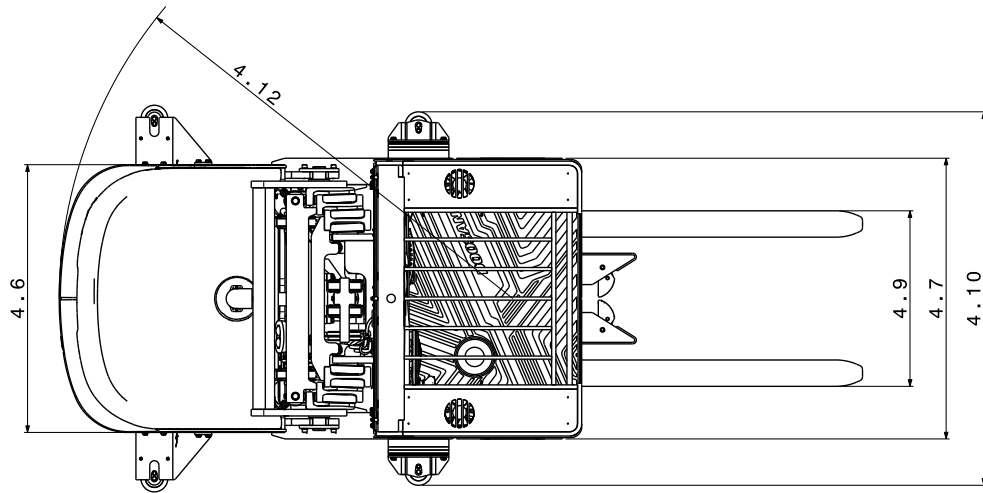


# Technical Data

Identification	1.1	Manufacturer		Doosan				
	1.2	Model		B150P-9				
	1.3	Power Voltage	V	24V				
	1.4	Drive		Electric				
	1.5	Type of Operation		Order Picker				
	1.6	Load Capacity/Rated Load	lb (kg)	3,000 (1,360)				
	1.7	Load Center Distance	in (mm)	24 (610)				
	1.8	Wheelbase	in (mm)	57.1 (1,450)				
	2.1	Service Weight w/o Battery	lb (kg)	6,237 (2,829)				
Tires	3.1	Tires		Poly				
	3.2	Tire Size, Rear (Load)	in (mm)	6x2.8 (152 x 70)				
	3.3	Tire Size, Front (Drive)	in (mm)	13 x 5.5 (330 x 140)				
	3.4	Wheels, # Front/Rear (x = Drive Wheels)	Drive/Load	1x/4				
Dimensions	4.1	Lowered Mast Height	in (mm)	95.3 (2,420)	105.3 (2,675)	116.3 (2,955)	124.4 (3,185)	
	4.2	Maximum Fork Height	in (mm)	210 (5,330)	240 (6,170)	273 (6,940)	300 (7,620)	
	4.3	Extended Mast Height	in (mm)	296.7 (7,535)	327 (8,305)	360 (9,145)	387.2 (9,835)	
	4.4	Standard Fork Length	in (mm)	42 (1,065)				
	4.5	Length to Face of Forks	in (mm)	78 (1,982)				
	4.6	Overall Width (Chassis)	in (mm)	40 (1,016)				
	4.7	Overall Width	in (mm)	42 (1,065)	42 (1,065)	48 (1,219)	54 (1,372)	
	4.8	Standard Fork Dimensions (L x W x T)	in (mm)	42 x 4 x 2 (1,065 x 100 x 50)				
	4.9	Width Over Forks	in (mm)	22/30 (570/762)				
	4.10	Width Over Guide Rollers (Min/Max)	in (mm)	47.5~65.2 (1,206~1,657)		53.5~71.2 (1,359~1,808)		59.6 ~ 77.3 (1,513 ~ 1,963)
	4.11	Ground Clearance, Center of Wheelbase	in (mm)	2 (52)				
	4.12	Turning Radius	in (mm)	67.8 (1,722)				
	4.13	Fork Height, Fully Lowered	in (mm)	3 (75)				
	4.14	Operator Compartment Height	in (mm)	79 (2,008)				
	4.15	Driver Compartment Length	in (mm)	26.7 (679)				
	4.16	Top of Fork to Floor Height	in (mm)	5.2 (132)				
	4.17	Side Safety Gate Height	in (mm)	39.5 (1,003)				
	4.18	Maximum Battery Compartment (L x W x H)	in (mm)	13 x 38 x 32.3 (330 x 965 x 820)				
Performance	5.1	Travel Speed, Loaded/Unloaded	mph (km/h)	7.5/7.5 (12/12)				
	5.2	Lift Speed, Loaded/Unloaded	fpm (m/s)	45/67 (0.23/0.34)				
	5.3	Lowering Speed, Loaded/Unloaded	fpm (m/s)	79/79 (0.40/0.40)				
	5.4	Service Brake		Regenerative				
	5.5	Parking Brake		Electric Disc				
Electrical	6.1	Drive Motor Rating S2 60min	hp (kW)	5.8 (4.3)				
	6.2	Lift Motor Rating S3 15%	hp (kW)	14.7 (11)				
	6.3	Steering Rating S3 15%	hp (kW)	1.1 (0.85)				
	6.4	Standard Battery Connector		SB350 Red				
	6.5	Minimum Battery Weight	lb (kg)	1,532 (695)				

NOTE: Specification values quoted in this spec sheet have been rounded, exclude Load Backrest and other attachments. Performance may vary due to operating conditions. Products and specifications are subject to change without prior notice.

# Dimensional Drawing



## Mast Specifications and Rated Capacities

### B150P-9

Mast Type	Maximum Fork Height		Maximum Lowered Height		Fully Extended Height		Free Lift	
	in.	mm	in.	mm	in.	mm	in.	mm
FFT	210	5,330	95.3	2,420	296.7	7,535	6.1	155
	240	6,100	105.3	2,675	327.0	8,305	16.1	410
	273	6,940	116.3	2,955	360.0	9,145	27.2	690
	300	7,620	124.4	3,185	387.2	9,835	36.2	920

NOTE: Products and specifications are subject to improvement and change without prior notices.



Doosan Industrial Vehicle America Corp.  
2475 Mill Center Parkway, Suite #400  
Buford, GA 30518  
P) 678-745-2200  
F) 678-745-2250  
[www.DoosanLift.com](http://www.DoosanLift.com)

PSCB150P-9V1\_SPEC

AUTHORIZED DEALER